

OMNIKEY® 3111 Reader Board Serial



A HIGH PERFORMANCE SMART CARD READER BOARD FOR OEMS

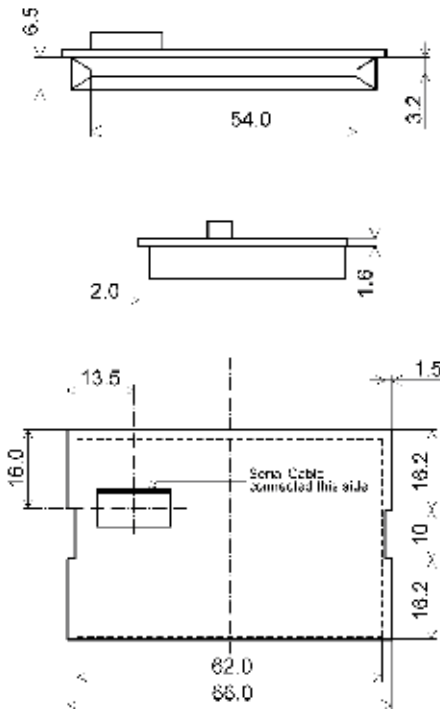
- **Plug and Play** - Designed to facilitate easy device installation with high quality drivers for all major PC operating systems
- **Readily Compliant** - Meets all relevant industry standards for smooth integration in PC environment
- **Suits Any Application** - Compatible with virtually any smart card and major PC operating systems

ADDITIONAL PRODUCT FEATURES:

- Driver identical to housed product
- All major operating systems supported
- Mounting bracket available
- PCB includes mounting holes
- Driver platform identical to housed product
- Meets major standards including ISO 7816, EMV 2000, Microsoft WHQL PC/SC, HBCI (Home Banking Computer Interface) and PC-2001 Specification
- Usage within an application is based on standardized interfaces like PC/SC, OCF (Open Card Framework) or CT-API

The OMNIKEY® 3111 is a high-performance, Serial contact smart card reader board. Compliant with all industry standards, the reader is compatible with virtually any contact smart card, operating system and a variety of applications. The OMNIKEY 3111 is easy-to-install and well-suited for all contact smart card operations, including single sign-on, online-banking or digital signature applications.

For actual driver downloads please visit www.hidglobal.com/omnikey



all dimensions in mm

Maximum component height is 4mm (crystal)

Serial Connector Size:
14.5 x 5.0 mm



SPECIFICATIONS

Base Model Number	R31110022-1
Dimensions	2.6" x 1.67" x 0.47" (66 x 42,4 x 12mm)
Weight	Approx. 103 gr / 3.6 oz
Power Supply	PS/2 Keyboard adapter
Operating Temperature	0°-55°C (32-131°F)
Operating Humidity	10-90% rH
HOST INTERFACE	
Host Interface	Serial RS232 COM port
Transmission Speed	115 Kbps
CONTACT SMART CARD INTERFACE	
Standards	ISO 7816 & EMV 2000 Level 1
Protocols	T=0, T=1, 2-wire: SLE 4432/42 (S=10), 3-wire: SLE 4418/28 (S=9), I ² C (S=8)
Card Size	ID-1 (full-size)
Smart Card Interface Speed	420 kbps (when supported by card)
Smart Card Clock Frequency	Up to 8 MHz
Supported Card Types	5V, 3V and 1.8V Smart Cards, ISO 7816 Class A, B and C
Power to Smart Card	60 mA
Smart Card Detection	Movement detection with auto power-off /Automatic detection of smart card type/ Short circuit and thermal protection
8 Pin Handling	C4 / C8 supported
Supported APIs	PC/SC driver (ready for 2.01), CT-API (on top of PC/SC, for contact interface), OCF (on top of PC/SC, for contact interface), Synchronous API (on top of PC/SC)
PC/SC Driver Support	Windows® 98 / ME, 2000 / XP (32bit), 2003 Server, Windows® NT 4, Windows® CE 5.0 / CE.NET (depending on hardware) Windows® XP 64bit (AMD64, EM64T), Windows® Vista (32bit / 64bit), Linux®
Status Indicator	Dual color LED
Embedded Technology	OMNIKEY Smart@Link Chipset
Options	Mounting Bracket: Available upon request
Connector Cable	70.9" (180 cm)
Durability	100,000 insertions
Meantime Between Failure (MTBF)	500,000 hours
Compliance / Certification	Microsoft® WHQL ² , EMV® 2000 Level 1, ISO 7816, HBCI ³
Safety / Environmental	WEEE, RoHS
Warranty	Two year manufacturer's warranty. (For drivers, see complete lifetime support policy.)

1 = Europay® MasterCard® Visa®,

2 = Windows® Hardware Quality Lab, 3 = Home Banking Computer Interface

North America: +1 949 732 2000
Toll Free: 1 800 237 7769
Europe, Middle East, Africa: +49 6123 791 0
Asia Pacific: +852 3160 9800
Latin America: +52 477 779 1492

hidglobal.com

ASSA ABLOY

An ASSA ABLOY Group brand

© 2011 HID Global Corporation. All rights reserved. HID, the HID logo and OMNIKEY are trademarks or registered trademarks of HID Global in the U.S. and/or other countries. All other trademarks, service marks, and product or service names are trademarks or registered trademarks of their respective owners.
2011-10-28-ok-3111-rb-serial-ds-en