

OMNIKEY® 3921 Reader Board USB



A HIGH PERFORMANCE SMART CARD READER BOARD FOR OEMS

- **Plug and Play** - Designed to facilitate easy device installation with high quality drivers for all major PC operating systems
- **Readily Compliant** - Meets all relevant industry standards for smooth integration in PC environment
- **Installation-ready** - Designed for integration into standard 3.5" floppy disk bay
- **Suits Any Application** - Compatible with virtually any contact smart card and major PC operating systems

ADDITIONAL PRODUCT FEATURES:

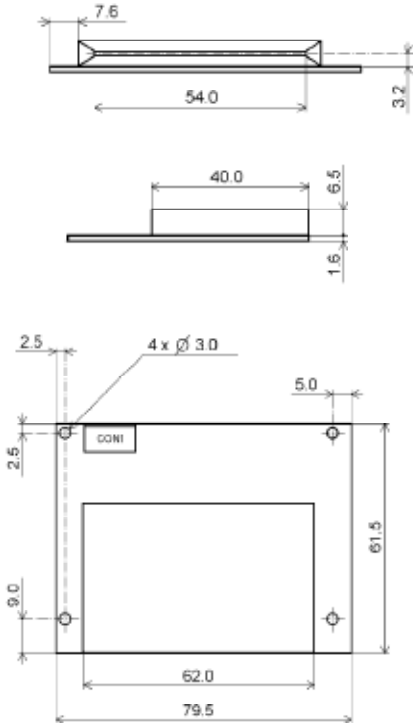
- Driver platform identical to OMNIKEY 3121
- Meets major standards including ISO 7816, EMV 2000, Microsoft® WHQL, USB CCID, PC/SC and HBCI (Home Banking Computer Interface)
- Usage within an application is based on standardized interfaces like PC/SC, OCF (Open Card Framework) or CT-API
- Available in a bulk version with internal USB cable for main board connector or as retail version with internal & external USB cable, slot bracket, driver CD and mounting screws
- USB CCID support makes integration into an existing system the easiest ever, by connecting host and smart card reader without the need of additional drivers
- All major operating systems supported
- Meets GSA FIPS 201 requirements
- Supports high speed data transmission

The OMNIKEY® 3921 is a high-performance, built-in, Plug and Play USB reader that can be easily integrated into the 3.5" floppy bay housing within a desktop computer. Featuring a transmission speed to the card of up to 420kbps, the OMNIKEY 3921 reader is compliant with all relevant industry standards.

Compatible with virtually any contact smart card or operating system, as well as a variety of applications, this easy-to-install OMNIKEY reader is well-suited for a wide range of smart card operations, including single sign-on, online-banking or digital signature applications.

For driver downloads please visit www.hidglobal.com/omnikey

SPECIFICATIONS



all dimensions in mm

Maximum component height is 6.5 mm (smart card holder)

CON1 = USB Connector 2x5 pin strip, right angle



ASSA ABLOY

An ASSA ABLOY Group brand

© 2011 HID Global Corporation. All rights reserved. HID, the HID logo and OMNIKEY are trademarks or registered trademarks of HID Global in the U.S. and/or other countries. All other trademarks, service marks, and product or service names are trademarks or registered trademarks of their respective owners.
2011-10-28-ok-3921-rb-usb-ds-en

Base Model Number	R39210011-1 Internal Cable R39210013-1 External Cable R39210014-1 No Cable
Dimensions	4.92" x 3.94" x 0.98" (125 x 100 x 25mm)
Weight	Approx. 75 gr / 2.65 oz (with cable)
Power Supply	Bus powered
Operating Temperature	0°-55°C (32-131°F)
Operating Humidity	10-90% rH
HOST INTERFACE	
Host Interface	USB 2.0 CCID ¹ (also compliant with USB 1.1)
Transmission Speed	12 Mbps (USB 2.0 full speed)
CONTACT SMART CARD INTERFACE	
Standards	ISO 7816 & EMV ² 2000 Level 1
Protocols	T=0, T=1, 2-wire: SLE 4432/42 (S=10), 3-wire: SLE 4418/28 (S=9), I ² C (S=8)
Card Size	ID-1 (full-size)
Smart Card Interface Speed	420 kbps (when supported by card)
Smart Card Clock Frequency	Up to 8 MHz
Supported Card Types	5V, 3V and 1.8V Smart Cards, ISO 7816 Class A, AB and C
Power to Smart Card	60 mA
Smart Card Detection	Movement detection with auto power-off /Automatic detection of smart card type / Short circuit and thermal protection
8 Pin Handling	C4 / C8 supported
Supported APIs	PC/SC driver (ready for 2.01), CT-API (on top of PC/SC, for contact interface), OCF (on top of PC/SC, for contact interface), Synchronous API (on top of PC/SC)
PC/SC Driver Support	Windows [®] 98 / ME, 2000 / XP (32bit), 2003 Server, Windows CE 5.0 / CE.NET (depending on hardware), Windows XP 64bit (AMD64, EM64T, IA64), Windows Vista (32bit / 64bit), Linux [®] , Mac [®] OS X (PowerPC / Intel)
Status Indicator	Green LED
Embedded Technology	OMNIKEY Smart@Link Chipset
Options	Customer Specific Logo, Label and Colors: Available upon request
Connector Cable	Ext. 150 cm (59.1") / Int. 80 cm (31.5")
Durability	100,000 insertions
Meantime Between Failure (MTBF)	500,000 hours
Compliance / Certification	Microsoft [®] WHQL ³ , EMV ² 2000 Level 1, ISO 7816, HBCI ⁴ , USB 2.0 (USB 1.1 compatible), CCID ¹
Safety / Environmental	WEEE, RoHS
Warranty	Two year manufacturer's warranty. (For drivers, see complete lifetime support policy.)

1 = Chip Card Interface Device, 2 = Europay[®] MasterCard[®] Visa[®],
3 = Windows[®] Hardware Quality Lab, 4 = Home Banking Computer Interface

North America: +1 949 732 2000
Toll Free: 1 800 237 7769
Europe, Middle East, Africa: +49 6123 791 0
Asia Pacific: +852 3160 9800
Latin America: +52 477 779 1492