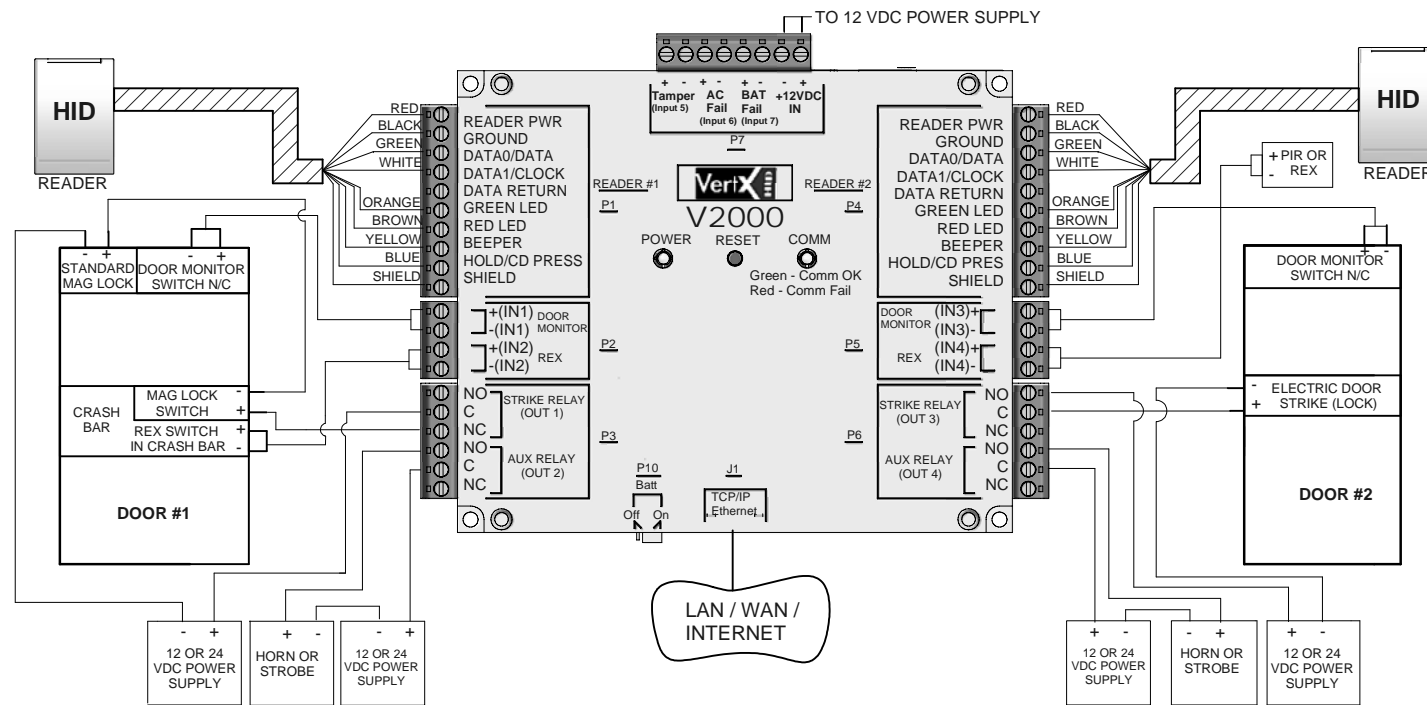


**NOTES, UNLESS OTHERWISE SPECIFIED:**

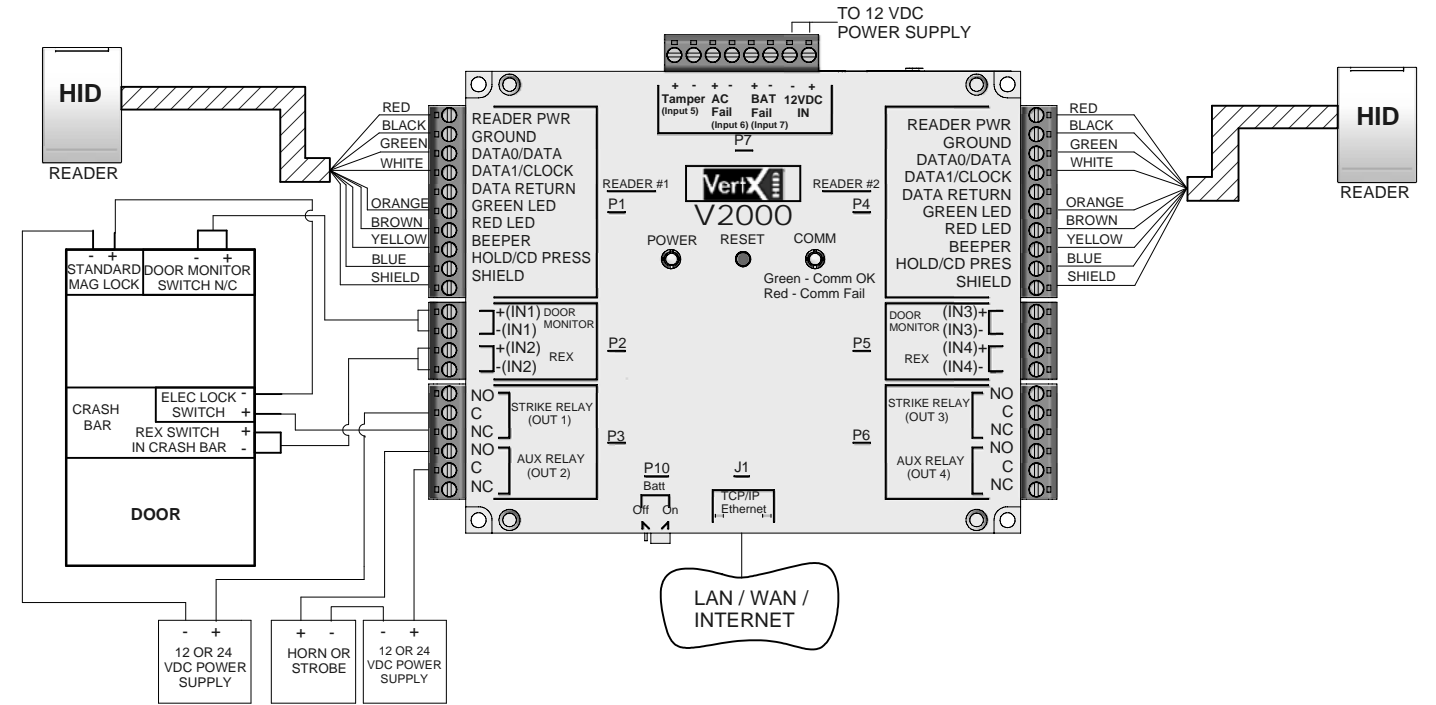
1. THIS VERTX INSTALLATION WIRING DIAGRAM IS INTENDED AS AN EXAMPLE ONLY, AND SHOULD NOT BE INTERPRETED AS AN HID CORPORATION RECOMMENDATION.
2. THE DEFAULT SETTINGS FOR ALL VERTX INPUT DEVICES ARE NORMALLY OPEN (N/O), EXCEPT DOOR MONITOR INPUT WHICH IS NORMALLY CLOSED (N/C).

**CAUTION:** Some magnetic locks exhibit both high inrush current when activated and a high instantaneous break voltage when de-energized due to magnetic field collapse. It is recommended you use of a snubber circuit across the controlling relay terminals to protect the controlling relay contacts. Go to support.hidglobal.com, see Solution 891 - How do I wire a High In-Rush Current locking device to VertX/Edge/Edge Solo?.

**V2000 - DOOR/READER INTERFACE  
CARD IN / FREE OUT  
(MOST COMMON OPTION)**



**V2000 - DOOR/READER INTERFACE  
CARD IN / CARD OUT  
(LESS COMMON OPTION)**



REVISION HISTORY			
REV	ECO #	DESCRIPTION	
A.1	ITG03930	ADDED CAUTION	

THIS DOCUMENT CONTAINS PROPRIETARY INFORMATION. IT MAY NOT BE DISCLOSED TO OTHERS OR USED FOR MANUFACTURING PURPOSES WITHOUT PERMISSION FROM HID CORPORATION.

FIND NO	CAGE NO	QTY REQD	PART OR IDENTIFYING NO	NOMENCLATURE OR DESCRIPTION
EXCEPT AS NOTED DIMENSIONS ARE IN INCHES PER ANSI Y14.5M .XX .XXX ANGLES +/- .01 +/- .005 +/- .1				DO NOT SCALE DRAWING
APPROVALS			DATE	<b>HID IRVINE, CALIFORNIA</b> DWG TITLE <b>V2000 INSTALL WIRING DIAGRAM EXAMPLE</b> SIZE <b>B</b> CAGE CODE DWG NO <b>6080-910</b> REV <b>A.1</b> SCALE: N/A SHEET: 1 of 1
DWN LDixon			011311	
DSGN				
CHK				
APVD				
APVD				