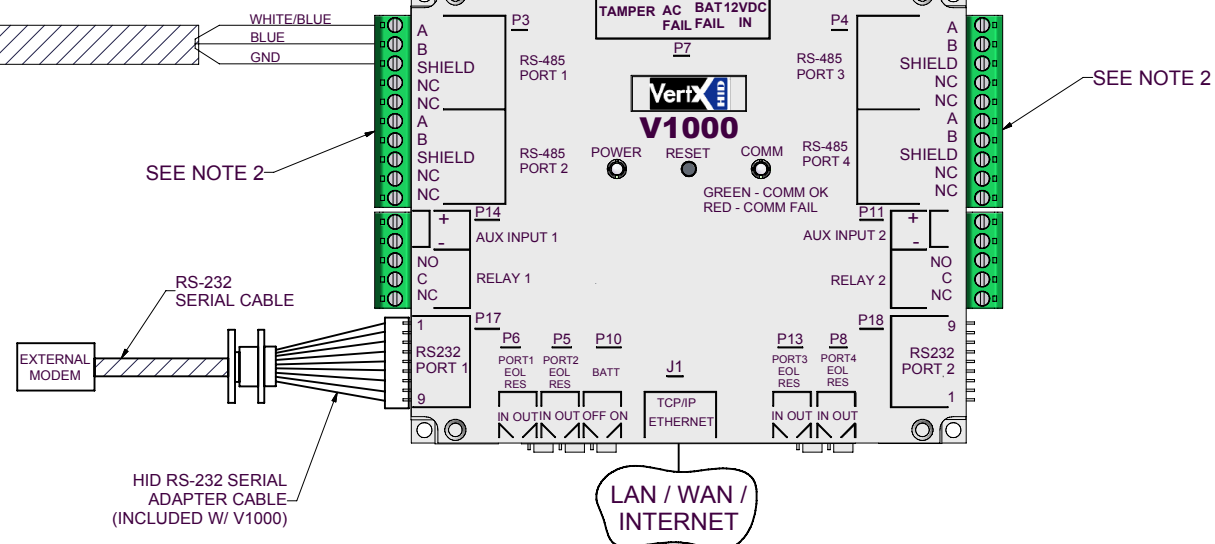


# V1000 - ACCESS CONTROLLER

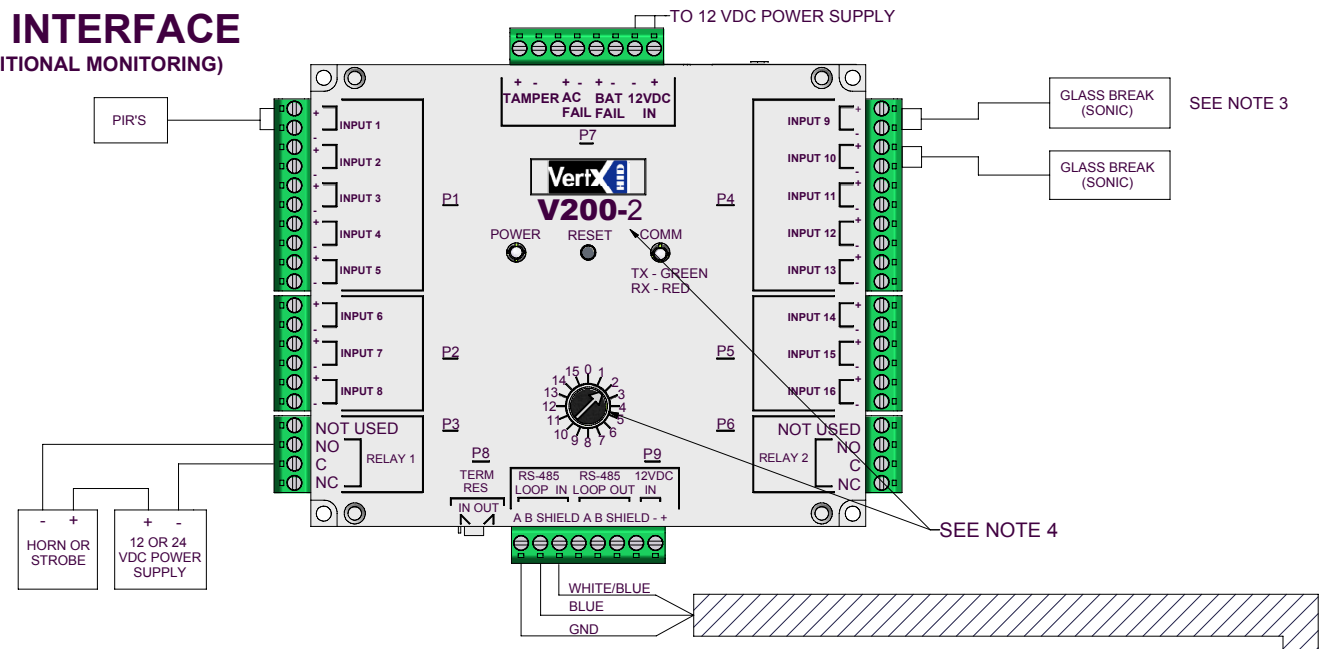
(REQUIRED)  
SEE NOTE 5

TO AC FAIL MONITOR CONTACTS ON POWER SUPPLY  
TO BATTERY FAIL MONITOR CONTACTS ON POWER SUPPLY  
TO ENCLOSURE TAMPER SWITCH  
TO 12 VDC POWER SUPPLY



# V200 - INPUT MONITOR INTERFACE

(OPTIONAL - ADDITIONAL MONITORING)

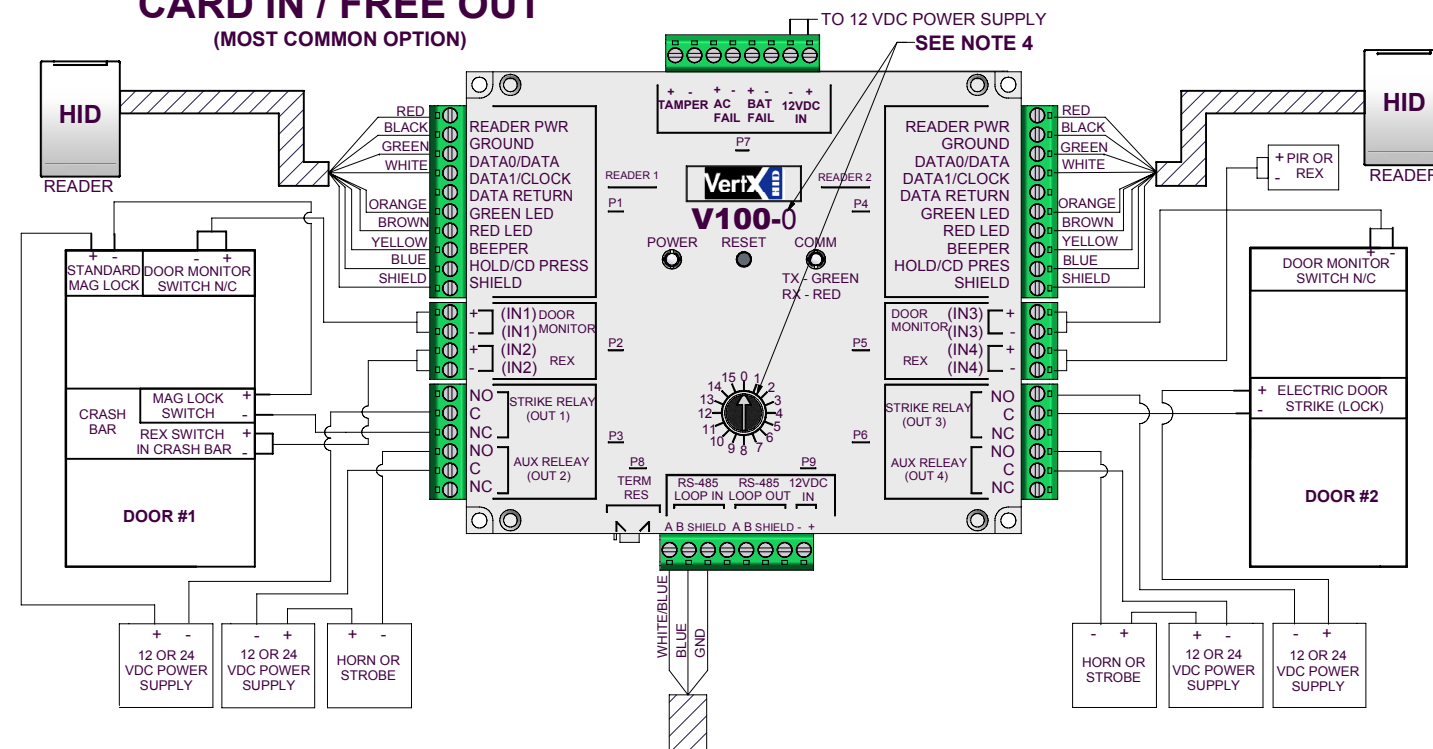


# V100 - DOOR/READER INTERFACE

## CARD IN / FREE OUT

(MOST COMMON OPTION)

(MOST COMMON OPTION)

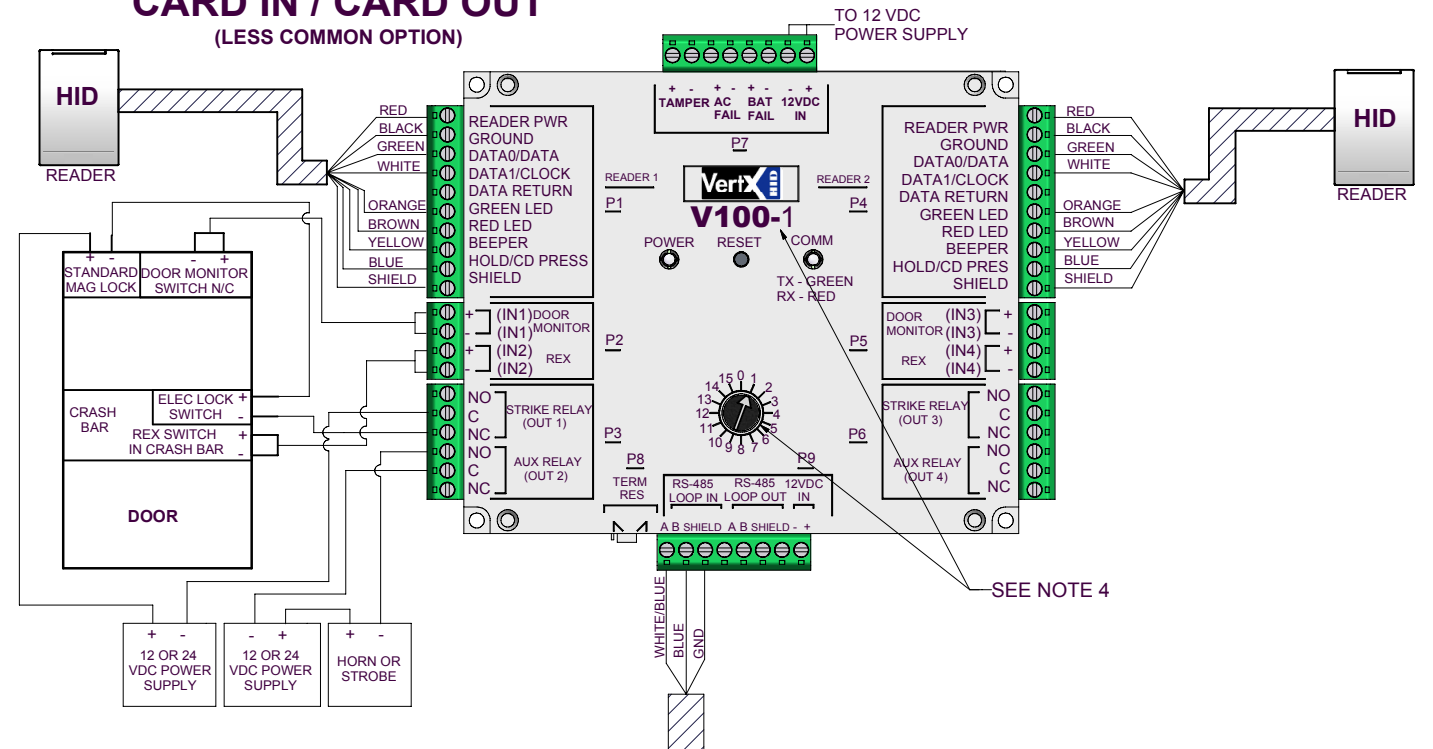


# V100 - DOOR/READER INTERFACE

## CARD IN / CARD OUT

(LESS COMMON OPTION)

(LESS COMMON OPTION)



### NOTES, UNLESS OTHERWISE SPECIFIED:

1. THIS VERTX INSTALLATION WIRING DIAGRAM IS INTENDED AS AN EXAMPLE ONLY, AND SHOULD NOT BE INTERPRETED AS AN HID CORPORATION RECOMMENDATION.
2. THE V1000 PHYSICAL RS-485 PORT 1 AND 2 RESIDE ON LOGICAL BUS 1 (P3), WHILE PORT 3 AND 4 RESIDE ON RS-485 LOGICAL BUS 2 (P4).
3. THE DEFAULT SETTINGS FOR ALL VERTX INPUT DEVICES ARE NORMALLY OPEN (N/O), EXCEPT DOOR MONITOR INPUT WHICH IS NORMALLY CLOSED (N/C).
4. THIS NUMBER INDICATES THE INTERFACE ADDRESS OF THE VertX UNIT. (DASH NUMBER NOT PRINTED ON ACTUAL COVER). DO NOT DUPLICATE ADDRESSES ON THE SAME BUS.
5. SUPPORTS UP TO (ANY COMBINATION OF) 32 INTERFACE PANELS. SEE THE QUICK INSTALL GUIDE FOR DETAILS.

REVISION HISTORY			
REV	ECO #	DESCRIPTION	DATE
1	-	INITIAL RELEASE	6/3/2005

THIS DOCUMENT CONTAINS PROPRIETARY INFORMATION. IT MAY NOT BE DISCLOSED TO OTHERS OR USED FOR MANUFACTURING PURPOSES WITHOUT PERMISSION FROM HID CORPORATION.

FIND NO	CAGE NO	QTY REQD	PART OR IDENTIFYING NO	NOMENCLATURE OR DESCRIPTION
EXCEPT AS NOTED DIMENSIONS ARE IN INCHES PER ANSI Y14.5M .XX .XXX ANGLES +/- .01 +/- .005 +/- .1				DO NOT SCALE DRAWING
MATERIAL				APPROVALS
FINISH				DATE
				DWN
				DSGN
				CHK
				APVD
				APVD

**HID** IRVINE, CALIFORNIA

DWG TITLE  
**VertX INSTALL WIRING DIAGRAM EXAMPLE**

SIZE: B CAGE CODE: DWG NO: **6080-905** REV: **2**

SCALE: N/A SHEET: 1 of 1