

HID® Seos® eUnit

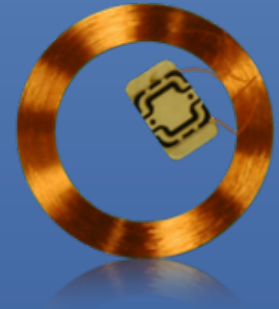
Compact coil for embedded applications

HID's Seos 13.56 MHz read/write contactless smart card technology can be used for diverse applications such as access control, biometrics, cashless vending, public transportation, airline ticketing and customer loyalty programs. Multiple, securely separated files enable numerous applications and support future growth.

The Seos eUnit provides the convenience of Seos technology in a coin-sized, disk-shaped transponder that can be inserted into any nonmetallic card or device to instantly provide 13.56 MHz read/write contactless smart card technology capabilities to utilize as a transition device during a rebadging process or to implement Seos into wearable devices.

FEATURES

- 13.56 MHz read/write contactless smart card technology provides high-speed, reliable communications with high data integrity
- HID Seos technology ensures high security with mutual authentication, encrypted data transfer and 64-bit diversified keys for read/write capabilities
- Any existing HID format can be field-programmed into the secure HID access control application area



KEY BENEFITS:

- Highly secure
- Multi-application support
- Certified design based on EAL 5+ Hardware platform

* Due to variations in card and reading devices, HID does not claim that the Seos eUnit will work in every situation. Compatibility should be confirmed prior to ordering.

HID® Seos® eUnit

UNRIVALLED SECURITY

Seos offers higher levels of data and privacy protection than legacy and competing credential technologies. This is because Seos takes a layered security approach and uses stringent best practices for data protection. One of these security layers comes from the Secure Identity Object, or SIO, which is a cryptographically protected data model for the storage of secure identity data, such as a user ID.

The Seos SIO is unique, as it contains four defining characteristics that provide enhanced security protections:

1. Assigned unique digital identity information for the user
2. Bound to the device cryptographically
3. Signed at the time of creation and validated each time the credential is used, ensuring a trusted source
4. Encrypted to prevent an unauthorized party from reading the embedded User ID

PROVEN, RELIABLE TECHNOLOGY

- Offers extremely consistent read range.
- Unaffected by body shielding or variable environmental conditions.

LONG LIFE

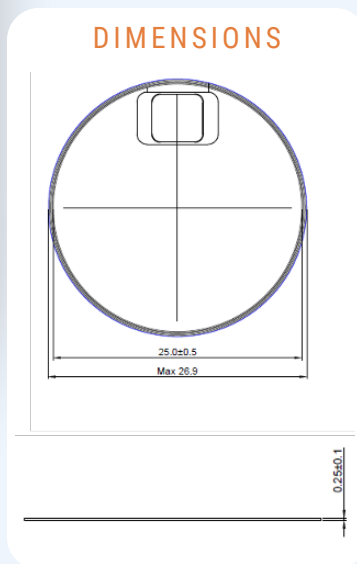
Passive, no-battery design allows for an estimated minimum 100,000 reads.

Seos 8K eUnit

Base Model Number	5076VNNNN
Operating Frequency	13.56 MHz
Communication Protocol Compliance	ISO14443A-4
Communication Speed	Up to 848kbps
Memory Type	EEPROM
Memory Size	8 Kbytes
Multiple Applications Support	Yes (using open data profile)
SIO Data Object Support	Yes (enabled by default)
HID Format Support	Yes (wrapped in SIO)
Write Endurance / Data Retention	Min 100,000 cycles / 10 years
Typical Transaction Time	Data size dependent
Extended Privacy Support	Yes
Security Features	Mutual authentication (compliant to ISO/IEC 24727-3), key diversification (based on NIST SP800-108 using AES 128), secure messaging (compliant to EN14890-1:2009). Session key derivation based on NIST SP 800-56A.
Security Certification	Common Criteria (CC) EAL 5+ HW certified platform
UID	Random UID (default), 7-byte static UID (optional, not recommended)
MECHANICAL, ENVIRONMENTAL AND COMPLIANCE	
Operating Temperature	-13° F to 185° F (-25° C to + 85° C)
Storage Temperature	-13° F to 185° F (-25° C to + 85° C) for 1000h
Standards Compliance	ISO14443-4, ISO/IEC 24727-3:2008, EN 14890-1:200
Environmental Compliance	RoHS, China RoHS, REACH, Halogen Free
Warranty	See complete warranty policy for details



DIMENSIONS



hidglobal.com

North America: +1 512 776 9000 | Toll Free: 1 800 237 7769

Europe, Middle East, Africa: +44 1440 714 850

Asia Pacific: +852 3160 9800 | Latin America: +52 (55) 9171-1108

For more global phone numbers click here

© 2021 HID Global Corporation/ASSA ABLOY AB. All rights reserved.

2021-11-22-eat-hid-seos-eunit-rs-en

PLT-05813

Part of ASSA ABLOY