



iCLASS® Key II

ALL 2K BIT (256 BYTE) ICLASS CREDENTIALS HAVE THE FOLLOWING FEATURES:

- Available in two application area configuration only.
- Provides the HID standard access control application area and one other application area for user customization.
- Meet ISO 15693 standard for contactless communications.
- Provides a cost effective way to improve the security of your access control installation.

ALL 16K BIT (2K BYTE) AND 32K BIT (4K BYTE) ICLASS CREDENTIALS HAVE THE FOLLOWING FEATURES:

- Sufficient read/write memory to store multiple biometric templates.
- 16k available in a two or sixteen application area configuration.
- Multiple securely separated files enable numerous applications, including the HID standard access control application, and support future growth.
- Meets ISO 15693 for contactless communications.

CONTACTLESS SMART KEY FOB • 2050, 2051, 2052, 2053, 2054

HID's iCLASS® 13.56 MHz read/write contactless smart card technology can be used for diverse applications such as access control, biometrics, cashless vending, public transportation, airline ticketing and customer loyalty programs. Multiple, securely separated files enable numerous applications and support future growth.

The iCLASS Key provides the convenience of iCLASS 13.56 MHz contactless read/write smart card in a molded plastic key fob enclosure that is durable in a harsh environment. This key fob is the size of a typical automotive key and offers custom artwork printing capabilities directly on the key fob credential. You now can offer a credential that can be placed on a key ring or lanyard for such diverse applications including access control, network log-on security, automotive vehicle identification, cashless vending, time and attendance, and biometric verification.

Features:

- The iCLASS 13.56 MHz read/write contactless smart key technology provides high-speed, reliable communications with high data integrity.
- iCLASS technology ensures high security with mutual authentication, encrypted data transfer, and 64-bit diversified keys for read/write capabilities.
- Any existing HID format can be factory or field programmed into the secure HID access control application area.
- Available in 2k bit (256 Byte), 16k bit (2k Byte) or 32k bit (4k Byte) configurations.
- Molded plastic enclosure provides durability in harsh environments.
- Can be placed on a key ring or clipped to a lanyard for convenient entry.



READ/WRITE FUNCTIONALITY FOR MULTI-FUNCTIONAL MEMORY APPLICATIONS

iCLASS® was specifically designed to make access control more powerful, more versatile, and more secure. All radio frequency data transmission between the card and reader is encrypted using a secure algorithm. By using industry standard encryption techniques, iCLASS reduces the risk of compromised data or duplicated cards. For even higher security, the card data may also be protected with DES or triple DES encryption. Multiple securely separated application areas are each protected by 64-bit diversified read/write keys which allow complex applications and provide for future expansion.

Security mechanisms such as mutual authentication and encryption are efficiently combined with fast processing and data communication,

resulting in transaction times of less than 100 milliseconds for a typical secure e-purse transaction.

PROVEN, RELIABLE TECHNOLOGY

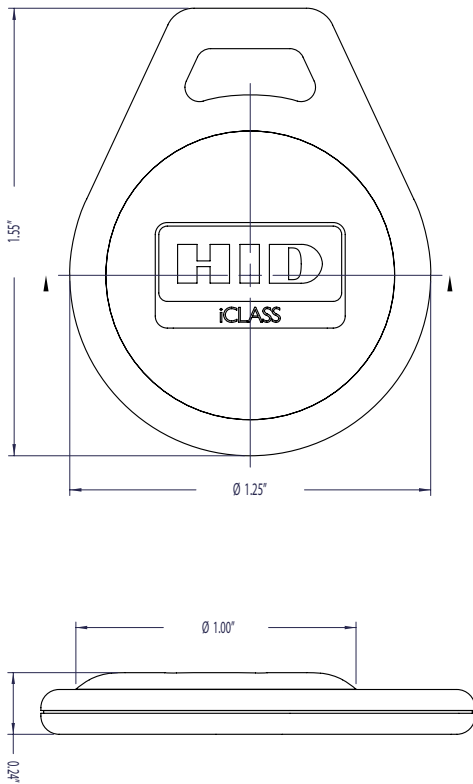
Offers extremely consistent read range. Unaffected by body shielding or variable environmental conditions.

LONG LIFE

Passive, no-battery design allows for an estimated minimum 100,000 reads.

SMALL AND CONVENIENT

Can be carried with keys in pocket, handbag, or clipped on a lanyard.



Learn about HID Global's green initiatives hidglobal.com/green



hidglobal.com

North America: +1 512 776 9000
Toll Free: 1 800 237 7769
Europe, Middle East, Africa: +44 1440 714 850
Asia Pacific: +852 3160 9800
Latin America: +52 55 5081 1650

An ASSA ABLOY Group brand

SPECIFICATIONS

Base Part Numbers	2050, 2051, 2052, 2053, 2054
Description	RF-programmable, 13.56 kHz, black with grey insert, customer-specified ID Numbers.
Typical Maximum Read Range*	R10 2" (5.1 cm) RP15 1 3/4" (4.6 cm) R30/RW300 2 1/4" (5.9 cm) R40/RW400 2 3/4" (7.0 cm) RK40/RWK400 2" (5.1 cm) RP40 2 1/2" (6.6 cm)
Dimensions	1.55 x 1.25 x 0.235 inches max (3.95 x 3.18 x 0.60 cm)
Weight	0.14 oz (4.0g)
Keyfob Construction	Ultrasonically welded ABS Shell with TPE insert
Operating Temperature	-50° to 160° F (-45° to 70° C)
Memory Size/ Application Areas	2k bit (256 Byte) key - 2 application areas 16k bit (2k Byte) key - 2 or 16 application areas 32k bit (4k Byte) card - 16k bits in 2 or 16 application areas plus 16k bit user configurable.
HID Proximity 125 kHz	No
Contact Smart Chip Module Embeddable	No
Wiegand Stripe	No
Magnetic Stripe	No
Printable	No
Standard HID Artwork	Yes
Slot Punch	Key Ring Hole
Visual Security Options	N/A
Additional Security Options	Corporate 1000
Options	Lifetime
Warranty	Key Ring sold separately (Part Number: 57-0001-02) External card numbering (inkjet or laser engraving)

*Dependent upon installation conditions. Tested using Rev "C" readers.

© 2018 HID Global Corporation. All rights reserved. HID, HID Global, the HID Blue Brick logo, the Chain Design and iCLASS are trademarks or registered trademarks of HID Global or its licensor(s)/supplier(s) in the US and other countries and may not be used without permission. All other trademarks, service marks, and product or service names are trademarks or registered trademarks of their respective owners.

2018-03-20-hid-iclass-key-ii-en

PLT-00167