

# CASI<sup>®</sup> Interface Adapter

125 kHz Proximity

Connects HID readers to CASI Access Control Systems • 4033



**ACCESS** reliability.

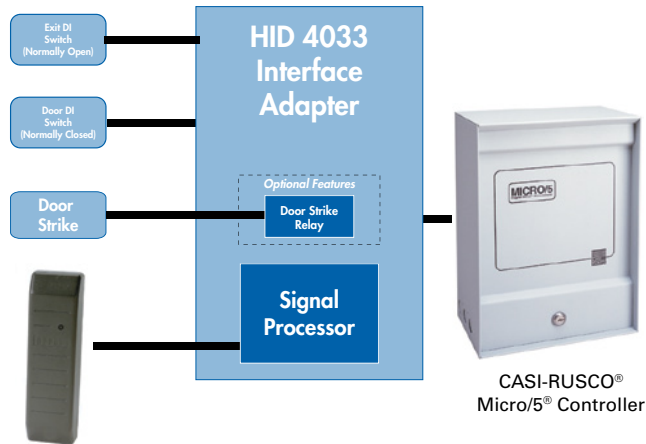
## Application

Allows HID readers to be economically installed on a CASI-RUSCO<sup>®</sup> system. Using one interface module per reader, up to sixteen HID proximity, Wiegand, magnetic stripe, or iCLASS<sup>®</sup> readers may be connected to two CASI-RUSCO 8RP Interface Boards in any Micro/5<sup>®</sup> Control Panel.

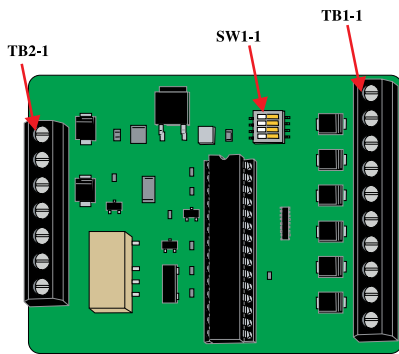
The HID 4033 Adapter Module duplicates special functions provided by CASI-RUSCO systems, such as Request to Exit (REX), Door Monitor inputs, Door Strike output, and reader presence supervision.

## Features

- ▶ Monitors Door Position and Request to Exit inputs.
- ▶ Compact unit mounts in standard dual-gang J-Box with coverplate.
- ▶ Supports the following formats:
  - HID 37-Bit
  - Standard 26-Bit
  - Casi-Rusco BCD Format
  - Casi-Rusco 3201 Format
  - HID Corporate 1000 Format
- ▶ Supports Reader Status supervision feature in new HID proximity readers.
- ▶ The HID 4033 Interface Adapter for CASI systems converts Wiegand card data into CASI-RUSCO F2F data.



### HID 4033 Interface Adapter Board



### Interface Wiring Connections

SW1	Signal
1	Unused
2	Unused
3	Unused
4	ON-Supervised OFF-Unsupervised

TB1	Signal
1	+DC Power
2	Ground
3	Exit DI Switch
4	Wiegand Data 1
5	Beeper Control
6	Red LED Control
7	Wiegand Data 0
8	Exit DI Common
9	Door DI Switch
10	Door DI Common

TB2	Signal
1	+DC Power
2	Ground
3	Door Strike DO
4	Reader Data 1
5	Door Strike Relay Normally Closed
6	Door Strike Relay Common
7	Door Strike Relay Normally Open

### Dimensions

2.25" x 3.0" (5.72 cm x 7.62 cm)

### Power Requirements

12-18 VDC  
Reverse voltage protected  
Linear supply recommended

### Current Requirements

12 VDC 100/mA

### Operating Temperature

-22°F to 150°F (-30°C to 65°C)

### Operating Humidity

5% to 95% relative humidity  
non-condensing

### Cable Distance

Reader to Micro 5 Panel - 500 feet (150m) total distance.

### Cable Recommendations

From panel to interface, Alpha 1295 C, 22AWG 5-conductor.  
From interface to reader, Alpha 1296C, 22AWG 6-conductor.  
For REX and Door Monitor inputs, use 22AWG 2-conductor cable. For Door Strike output, use 18AWG 2-conductor cable. All cables stranded with overall shield.

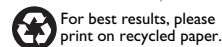
UL Rating: UL 294

### Part Numbers

Base Part Number: 4033

Specifications subject to change without notice. (Please see "How to Order" guide for a description of the options and associated part numbers).

© 2007 HID Global. All rights reserved. HID, and the HID logo are trademarks or registered trademarks of HID Global in the U.S. and/or other countries. All other trademarks, service marks, and product or service names are trademarks or registered trademarks of their respective owners. Rev. 4/2007



MKT-CASIADAPTER\_DS\_EN



**ACCESS** experience.

[hidcorp.com](http://hidcorp.com)

#### HID Global Offices:

**Corporate North America**  
9292 Jeronimo Road  
Irvine, CA 92618-1905  
U.S.A.  
Phone: (800) 237-7769  
Phone: (949) 598-1600  
Fax: (949) 598-1690

**Asia Pacific**  
19/F 625 King's Road  
North Point  
Island East  
Hong Kong  
Phone: +852 3160-9800  
Fax: +852 3160-4809

**Latin America**  
Circunvalacion Ote. #201 B  
Despacho 2  
Col. Jardines del Moral  
Leon 37160, Gto.  
Mexico  
Phone: +52 477 779 1492  
Fax: +52 477 779 1493

**Europe, Middle East & Africa**  
Homefield Road  
Haverhill, Suffolk  
CB9 8QP  
England  
Phone: +44 (0) 1440 714 850  
Fax: +44 (0) 1440 714 840